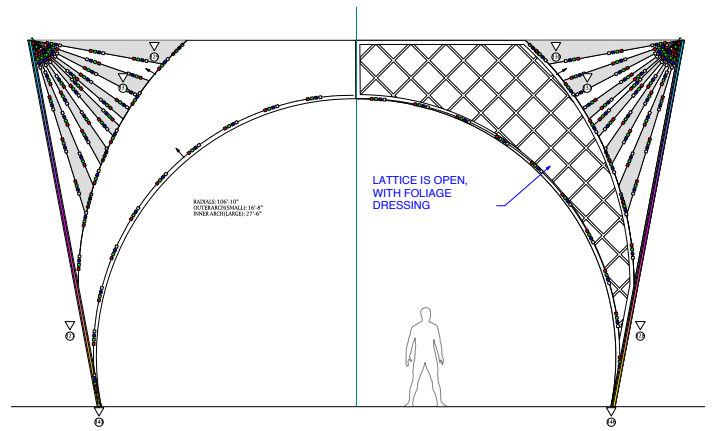


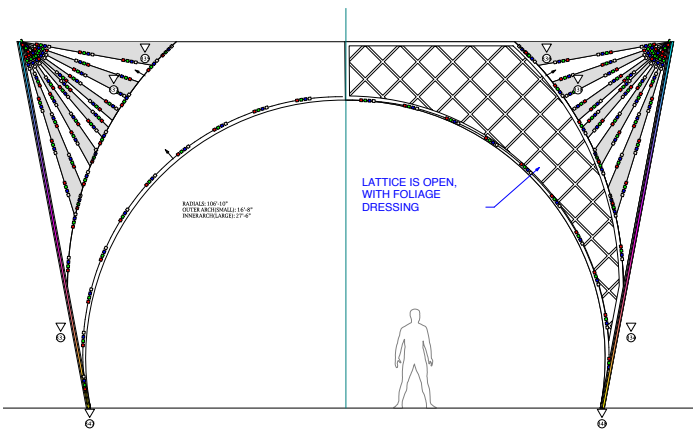
PORTAL 1

1 PORTAL 1 PRACTICALS  
Scale: 3/8" = 1'-0"



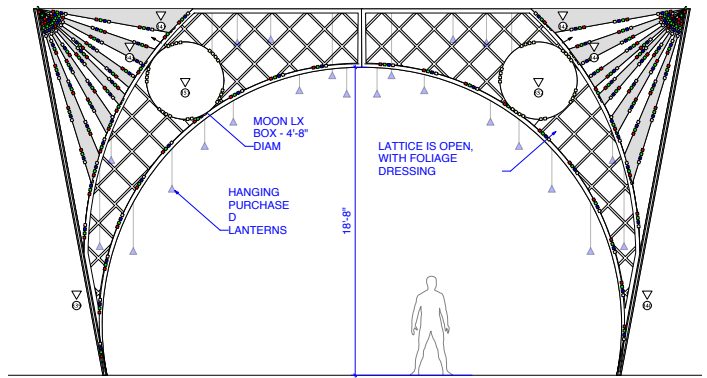
PORTAL 2

2 PORTAL 2 PRACTICALS  
Scale: 3/8" = 1'-0"



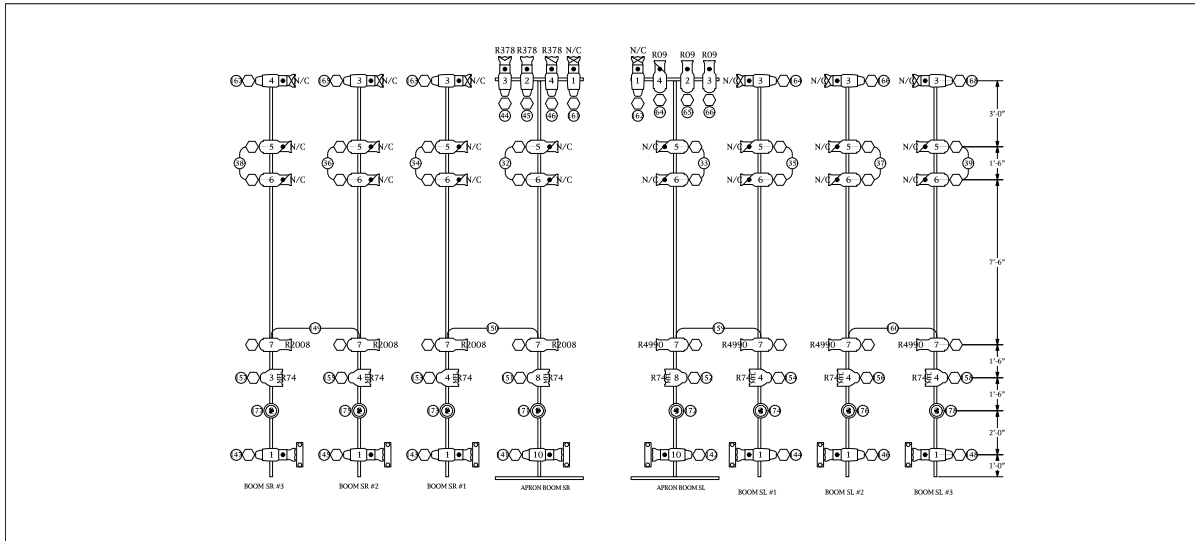
PORTAL 3

3 PORTAL 3 PRACTICALS  
Scale: 3/8" = 1'-0"



PORTAL 4

4 PORTAL 4 PRACTICALS  
Scale: 3/8" = 1'-0"



5 ROOMS  
Scale: 1/2" = 1'-0"

<b>KEY</b> R378 - COLOR R09 - BARREL R49 - DIMMER R7 - CHANNEL R10 - HANGING INFO DMX IBS	WILDFIRE UV LED PAR S4 PAR MFL 750W LED TAPE 19" SOURCE 4, 750W 26" SOURCE 4, 750W 36" SOURCE 4, 750W 50" SOURCE 4, 750W SPECTRA CVC 100	ALTMAN GX3 750W ALTMAN GX12 750W ALTMAN GX16 750W CHAUVET CORE PAR 80 PRACTICAL SEE NOTES WYRRON FORERUNNER ROSCO I CUE ELATION SPOT 300 ELATION SPOT 250	PAR 64 WFL 1KW PAR 64 MFL 1KW PAR 64 NSP 1KW ROGUE WASH R2	<b>NOTES</b> -ALL UNITS ON 18" CENTERS UNLESS OTHERWISE NOTATED. -PLEASE HAVE COLOR AND PATTERNS DROPPED FOR FIXES. -TWO FIXES ARE INDICATED. -PROVIDE BACKFACE "RUE LIGHT" FOR SHOW. -SOME POSITIONS ARE EXPANDED FOR CLARITY. -SEE TAPPORF FOR PATTERN INFORMATION. -PLEASE HAVE ADDITIONAL CUTS OF R132 AND R119 AVAILABLE FOR FIXES. -TRIMS TO BE ADJUSTED ON SITE BY FIXES TEAM. -ROOM FACED TO THE RIGHT UNLESS ON SITE. SEE ROOM AND PRACTICALS PAGE FOR MORE INFO.	THIS DRAWING REPRESENTS VISUAL CONCEPTS AND CONSTRUCTION SUGGESTIONS ONLY AND DOES NOT REPLACE THE KNOWLEDGE AND ADVICE OF A LICENSED STRUCTURAL ENGINEER. THE DESIGNER AND HIS ASSISTANTS ARE UNQUALIFIED TO DETERMINE THE STRUCTURAL APPROPRIATENESS OF THIS DESIGN, AND WILL NOT ASSUME RESPONSIBILITY FOR IMPROPER ENGINEERING OR USE.	ATLANTEIS ROOMS AND SET MOUNTS SCALE: 1/2" = 1'-0" NOVEMBER THEATRE DIRECTOR: KRISTEN HANAGI LIGHTING DESIGN: BJ WILKINSON ALD AMARIEL COSTUME DESIGN: ANY CLARK SCENE DESIGN: JASON SHERWOOD SOUND DESIGN: DEER DUMARK TECHNICAL DIRECTOR: BRUCE RENE	VIRGINIA Central Virginia's LEADING PROFESSIONAL THEATRE
---	--	---	---	---	--	--	---